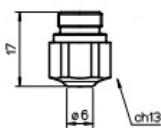
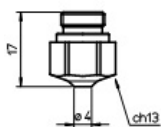


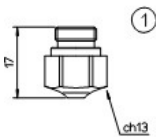
BYSTRONIC®

POS	CODE	ORIGINAL CODE	DESCRIPTION	unit price	10 pack price
	B1-01	3-04277 HK08	BYSTRONIC® NOZZLE Ø 0.8 HD	Call	
	B1-02	3-04277 HK08	BYSTRONIC® NOZZLE Ø0.8 HD	Call	
	B1-03	3-01910 HK10	BYSTRONIC® NOZZLE Ø 1.0 HD	Call	
	B1-04	3-01910 HK10	BYSTRONIC® NOZZLE Ø1.0 HD	Call	
	B1-05	3-01911 HK12	BYSTRONIC® NOZZLE Ø 1.25 HD	Call	
	B1-06	3-01911 HK12	BYSTRONIC® NOZZLE Ø1.25 HD	Call	
	B1-07	3-01912 HK15	BYSTRONIC® NOZZLE Ø 1.5 HD	Call	
	B1-08	3-01912 HK15	BYSTRONIC® NOZZLE Ø1.5 HD	Call	
	B1-09	3-01913 HK17	BYSTRONIC® NOZZLE Ø 1.75 HD	Call	
	B1-10	3-01913 HK17	BYSTRONIC® NOZZLE Ø1.75 HD	Call	
	B1-11	3-01910 HK10	BYSTRONIC® NOZZLE Ø 1.0 HD CP	Call	
	B1-12	3-01910 HK10	BYSTRONIC® NOZZLE Ø1.0 HD CP	Call	
	B1-13	3-01911 HK12	BYSTRONIC® NOZZLE Ø 1.25 HD CP	Call	
	B1-14	3-01911 HK12	BYSTRONIC® NOZZLE Ø1.25 HD CP	Call	
	B1-15	3-01912 HK15	BYSTRONIC® NOZZLE Ø 1.5 HD CP	Call	
	B1-16	3-01912 HK15	BYSTRONIC® NOZZLE Ø 1.5 HD CP	Call	
	B1-17	3-01913 HK17	BYSTRONIC® NOZZLE Ø 1.75 HD CP	Call	
	B1-18	3-01913 HK17	BYSTRONIC® NOZZLE Ø1.75 HD CP	Call	
	B1-19	3-01914 HK20	BYSTRONIC® NOZZLE Ø 2.0 HD	Call	
	B1-20	3-01914 HK20	BYSTRONIC® NOZZLE Ø2.0 HD	Call	
	B1-21	3-03854 HK25	BYSTRONIC® NOZZLE Ø 2.5 HD	Call	
	B1-22	3-03854 HK25	BYSTRONIC® NOZZLE Ø2.5 HD	Call	
	B1-23	3-06112 HK30	BYSTRONIC® NOZZLE Ø 3.0 HD	Call	
	B1-24	3-06112 HK30	BYSTRONIC® NOZZLE Ø3.0 HD	Call	
	B1-25	HK35	BYSTRONIC® NOZZLE Ø 3.5 HD	Call	
	B1-26	HK35	BYSTRONIC® NOZZLE Ø3.5 HD	Call	
	B1-27	HK40	BYSTRONIC® NOZZLE Ø 4.0 HD	Call	
	B1-28	HK40	BYSTRONIC® NOZZLE Ø4.0 HD	Call	
	B1-29	3-01914 HK20	BYSTRONIC® NOZZLE Ø 2.0 HD CP	Call	
	B1-30	3-01914 HK20	BYSTRONIC® NOZZLE Ø2.0 HD CP	Call	
	B1-31	3-03854 HK25	BYSTRONIC® NOZZLE Ø 2.5 HD CP	Call	
	B1-32	3-03854 HK25	BYSTRONIC® NOZZLE Ø2.5 HD CP	Call	
	B1-33	3-06112 HK30	BYSTRONIC® NOZZLE Ø 3.0 HD CP	Call	
	B1-34	3-06112 HK30	BYSTRONIC® NOZZLE Ø3.0 HD CP	Call	
	B1-35	HK35	BYSTRONIC® NOZZLE Ø 3.5 HD CP	Call	
	B1-36	HK35	BYSTRONIC® NOZZLE Ø 3.5 HD CP	Call	
	B1-37	HK40	BYSTRONIC® NOZZLE Ø 4.0 HD CP	Call	
	B1-38	HK40	BYSTRONIC® NOZZLE Ø 4.0 HD CP	Call	



BYSTRONIC®

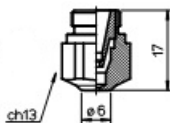
POS	CODE	ORIGINAL CODE	DESCRIPTION	unit price	10 pack price
	B2-01	3-04273 K08	BYSTRONIC® NOZZLE Ø 0.8	Call	
	B2-02	3-04273 K08	BYSTRONIC® NOZZLE Ø 0.8	Call	
	B2-03	3-01905 K10	BYSTRONIC® NOZZLE Ø 1.0	Call	
	B2-04	3-01905 K10	BYSTRONIC® NOZZLE Ø1.0	Call	
	B2-05	3-01906 K12	BYSTRONIC® NOZZLE Ø 1.25	Call	
	B2-06	3-01906 K12	BYSTRONIC® NOZZLE Ø 1.25	Call	
	B2-07	3-01907 K15	BYSTRONIC® NOZZLE Ø 1.5	Call	
	B2-08	3-01907 K15	BYSTRONIC® NOZZLE Ø1.5	Call	
	B2-09	3-01908 K17	BYSTRONIC® NOZZLE Ø 1.75	Call	
	B2-10	3-01908 K17	BYSTRONIC® NOZZLE Ø1.75	Call	
	B2-11	3-01909 K20	BYSTRONIC® NOZZLE Ø 2.0	Call	
	B2-12	3-01909 K20	BYSTRONIC® NOZZLE Ø2.0	Call	
	B2-13	3-04274 K25	BYSTRONIC® NOZZLE Ø 2.5	Call	
	B2-14	3-04274 K25	BYSTRONIC® NOZZLE Ø2.5	Call	
	B2-15	3-04275 K30	BYSTRONIC® NOZZLE Ø 3.0	Call	
	B2-16	3-04275 K30	BYSTRONIC® NOZZLE Ø3.0	Call	
	B2-17	3-04273 K08	BYSTRONIC® NOZZLE Ø 0.8 CP	Call	
	B2-18	3-04273 K08	BYSTRONIC® NOZZLE Ø0.8 CP	Call	
	B2-19	3-01905 K10	BYSTRONIC® NOZZLE Ø 1.0 CP	Call	
	B2-20	3-01905 K10	BYSTRONIC® NOZZLE Ø1.0 CP	Call	
	B2-21	3-01906 K12	BYSTRONIC® NOZZLE Ø 1.25 CP	Call	
	B2-22	3-01906 K12	BYSTRONIC® NOZZLE Ø1.25 CP	Call	
	B2-23	3-01907 K15	BYSTRONIC® NOZZLE Ø 1.5 CP	Call	
	B2-24	3-01907 K15	BYSTRONIC® NOZZLE Ø1.5 CP	Call	
	B2-25	3-01908 K17	BYSTRONIC® NOZZLE Ø 1.75 CP	Call	
	B2-26	3-01908 K17	BYSTRONIC® NOZZLE Ø1.75 CP	Call	
	B2-27	3-01909 K20	BYSTRONIC® NOZZLE Ø 2.0 CP	Call	
	B2-28	3-01909 K20	BYSTRONIC® NOZZLE Ø2.0 CP	Call	
	B2-29	3-04274 K25	BYSTRONIC® NOZZLE Ø 2.5 CP	Call	
	B2-30	3-04274 K25	BYSTRONIC® NOZZLE Ø2.5 CP	Call	
	B2-31	3-04275 K30	BYSTRONIC® NOZZLE Ø 3.0 CP	Call	
	B2-32	3-04275 K30	BYSTRONIC® NOZZLE Ø3.0 CP	Call	



CP = CHROME PLATED

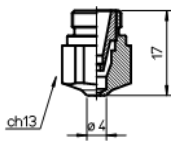
BYSTRONIC®

POS	CODE	ORIGINAL CODE	DESCRIPTION	unit price	10 pack price
	B3-01	3-16058 NK10 - 15	BYSTRONIC® DOUBLE NOZZLE Ø 1.0	Call	
	B3-02	3-16058 NK10 - 15	BYSTRONIC® DOUBLE NOZZLE Ø 1.0	Call	
	B3-03	3-16059 NK12- 15	BYSTRONIC® DOUBLE NOZZLE Ø 1.25	Call	
	B3-04	3-16059 NK12- 15	BYSTRONIC® DOUBLE NOZZLE Ø 1.25	Call	
	B3-05	3-16060 NK15- 15	BYSTRONIC® DOUBLE NOZZLE Ø 1.5	Call	
	B3-06	3-16060 NK15- 15	BYSTRONIC® DOUBLE NOZZLE Ø 1.5	Call	
	B3-07	3-14317 NK17 - 15	BYSTRONIC® DOUBLE NOZZLE Ø 1.75	Call	
	B3-08	3-14317 NK17 - 15	BYSTRONIC® DOUBLE NOZZLE Ø 1.75	Call	
	B3-09	3-14318 NK20 - 15	BYSTRONIC® DOUBLE NOZZLE Ø 2.0	Call	
	B3-10	3-14318 NK20 - 15	BYSTRONIC® DOUBLE NOZZLE Ø 2.0	Call	
	B3-11	3-14319 NK25 - 15	BYSTRONIC® DOUBLE NOZZLE Ø 2.5	Call	
	B3-12	3-14319 NK25 - 15	BYSTRONIC® DOUBLE NOZZLE Ø 2.5	Call	
	B3-13	3-16256 NK25 - 20	BYSTRONIC® DOUBLE NOZZLE Ø 2.5	Call	
	B3-14	3-16256 NK25 - 20	BYSTRONIC® DOUBLE NOZZLE Ø 2.5	Call	
	B3-15	3-16061 NK30 - 17	BYSTRONIC® DOUBLE NOZZLE Ø 3.0	Call	
	B3-16	3-16061 NK30 - 17	BYSTRONIC® DOUBLE NOZZLE Ø 3.0	Call	
	B3-17	3-16257 NK30 - 20	BYSTRONIC® DOUBLE NOZZLE Ø 3.0	Call	
	B3-18	3-16257 NK30 - 20	BYSTRONIC® DOUBLE NOZZLE Ø 3.0	Call	
	B3-19	NK35-30	BYSTRONIC® DOUBLE NOZZLE Ø 3.5	Call	
	B3-20	NK35-30	BYSTRONIC® DOUBLE NOZZLE Ø 3.5	Call	
	B3-21	3-16058 NK10 - 15	BYSTRONIC® DOUBLE NOZZLE Ø 1.0 CP	Call	
	B3-22	3-16058 NK10 - 15	BYSTRONIC® DOUBLE NOZZLE Ø 1.0 CP	Call	
	B3-23	3-16059 NK12- 15	BYSTRONIC® DOUBLE NOZZLE Ø 1.25 CP	Call	
	B3-24	3-16059 NK12- 15	BYSTRONIC® DOUBLE NOZZLE Ø 1.25 CP	Call	
	B3-25	3-16060 NK15- 15	BYSTRONIC® DOUBLE NOZZLE Ø 1.5 CP	Call	
	B3-26	3-16060 NK15- 15	BYSTRONIC® DOUBLE NOZZLE Ø 1.5 CP	Call	
	B3-27	3-14317 NK17 - 15	BYSTRONIC® DOUBLE NOZZLE Ø 1.75 CP	Call	
	B3-28	3-14317 NK17 - 15	BYSTRONIC® DOUBLE NOZZLE Ø 1.75 CP	Call	
	B3-29	3-14318 NK20 - 15	BYSTRONIC® DOUBLE NOZZLE Ø 2.0 CP	Call	
	B3-30	3-14318 NK20 - 15	BYSTRONIC® DOUBLE NOZZLE Ø 2.0 CP	Call	
	B3-31	3-14319 NK25 - 15	BYSTRONIC® DOUBLE NOZZLE Ø 2.5 CP	Call	
	B3-32	3-14319 NK25 - 15	BYSTRONIC® DOUBLE NOZZLE Ø 2.5 CP	Call	
	B3-33	3-16256 NK25 - 20	BYSTRONIC® DOUBLE NOZZLE Ø 2.5 CP	Call	
	B3-34	3-16256 NK25 - 20	BYSTRONIC® DOUBLE NOZZLE Ø 2.5 CP	Call	
	B3-35	3-16061 NK30 - 17	BYSTRONIC® DOUBLE NOZZLE Ø 3.0 CP	Call	
	B3-36	3-16061 NK30 - 17	BYSTRONIC® DOUBLE NOZZLE Ø 3.0 CP	Call	
	B3-37	3-16257 NK30 - 20	BYSTRONIC® DOUBLE NOZZLE Ø 3.0 CP	Call	
	B3-38	3-16257 NK30 - 20	BYSTRONIC® DOUBLE NOZZLE Ø 3.0 CP	Call	
	B3-39	NK35-30	BYSTRONIC® DOUBLE NOZZLE Ø 3.5 CP	Call	
	B3-40	NK35-30	BYSTRONIC® DOUBLE NOZZLE Ø 3.5 CP	Call	



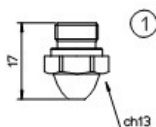
BYSTRONIC®

POS	CODE	ORIGINAL CODE	DESCRIPTION	unit price	10 pack price
	B4-01	3-16058 NK10 - 15	BYSTRONIC® DOUBLE NOZZLE Ø 1.0	Call	
	B4-02	3-16058 NK10 - 15	BYSTRONIC® DOUBLE NOZZLE Ø 1.0	Call	
	B4-03	3-16059 NK12- 15	BYSTRONIC® DOUBLE NOZZLE Ø 1.25	Call	
	B4-04	3-16059 NK12 - 15	BYSTRONIC® DOUBLE NOZZLE Ø 1.25	Call	
	B4-05	3-16060 NK15- 15	BYSTRONIC® DOUBLE NOZZLE Ø 1.5	Call	
	B4-06	3-16060 NK15 - 15	BYSTRONIC® DOUBLE NOZZLE Ø 1.5	Call	
	B4-07	3-14317 NK17 - 15	BYSTRONIC® DOUBLE NOZZLE Ø 1.75	Call	
	B4-08	3-14317 NK17 - 15	BYSTRONIC® DOUBLE NOZZLE Ø 1.75	Call	
	B4-09	3-16058 NK10- 15	BYSTRONIC® DOUBLE NOZZLE Ø 1.0 CP	Call	
	B4-10	3-16058 NK10 - 15	BYSTRONIC® DOUBLE NOZZLE Ø 1.0 CP	Call	
	B4-11	3-16059 NK12- 15	BYSTRONIC® DOUBLE NOZZLE Ø 1.25 CP	Call	
	B4-12	3-16059 NK12 - 15	BYSTRONIC® DOUBLE NOZZLE Ø 1.25 CP	Call	
	B4-13	3-16060 NK15 - 15	BYSTRONIC® DOUBLE NOZZLE Ø 1.5 CP	Call	
	B4-14	3-16060 NK15 - 15	BYSTRONIC® DOUBLE NOZZLE Ø 1.5 CP	Call	
	B4-15	3-14317 NK17 - 15	BYSTRONIC® DOUBLE NOZZLE Ø 1.75 CP	Call	
	B4-16	3-14317 NK17 - 15	BYSTRONIC® DOUBLE NOZZLE Ø 1.75 CP	Call	



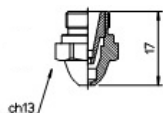
BYSTRONIC®

POS	CODE	ORIGINAL CODE	DESCRIPTION	unit price	10 pack price
	B5-01	3-04271 08	BYSTRONIC® NOZZLE Ø 0.8	Call	
	B5-02	3-04271 08	BYSTRONIC® NOZZLE Ø 0.8	Call	
	B5-03	3-01894 10	BYSTRONIC® NOZZLE Ø 1.0	Call	
	B5-04	3-01894 10	BYSTRONIC® NOZZLE Ø 1.0	Call	
	B5-05	3-01895 12	BYSTRONIC® NOZZLE Ø 1.25	Call	
	B5-06	3-01895 12	BYSTRONIC® NOZZLE Ø 1.25	Call	
	B5-07	3-01896 15	BYSTRONIC® NOZZLE Ø 1.5	Call	
	B5-08	3-01896 15	BYSTRONIC® NOZZLE Ø 1.5	Call	
	B5-09	3-01897 17	BYSTRONIC® NOZZLE Ø 1.75	Call	
	B5-10	3-01897 17	BYSTRONIC® NOZZLE Ø 1.75	Call	
	B5-11	3-01898 20	BYSTRONIC® NOZZLE Ø 2.0	Call	
	B5-12	3-01898 20	BYSTRONIC® NOZZLE Ø 2.0	Call	
	B5-13	3-04272 25	BYSTRONIC® NOZZLE Ø 2.5	Call	
	B5-14	3-04272 25	BYSTRONIC® NOZZLE Ø 2.5	Call	
	B5-15	3-04275 H08	BYSTRONIC® NOZZLE Ø 0.8 HD	Call	
	B5-16	3-04275 H08	BYSTRONIC® NOZZLE Ø 0.8 HD	Call	
	B5-17	3-01899 H10	BYSTRONIC® NOZZLE Ø 1.0 HD	Call	
	B5-18	3-01899 H10	BYSTRONIC® NOZZLE Ø 1.0 HD	Call	
	B5-19	3-01900 H12	BYSTRONIC® NOZZLE Ø 1.25 HD	Call	
	B5-20	3-01900 H12	BYSTRONIC® NOZZLE Ø 1.25 HD	Call	
	B5-21	3-01901 H15	BYSTRONIC® NOZZLE Ø 1.5 HD	Call	
	B5-22	3-01901 H15	BYSTRONIC® NOZZLE Ø 1.5 HD	Call	
	B5-23	3-01902 H17	BYSTRONIC® NOZZLE Ø 1.75 HD	Call	
	B5-24	3-01902 H17	BYSTRONIC® NOZZLE Ø 1.75 HD	Call	
	B5-25	3-01903 H20	BYSTRONIC® NOZZLE Ø 2.0 HD	Call	
	B5-26	3-01903 H20	BYSTRONIC® NOZZLE Ø 2.0 HD	Call	
	B5-27	3-04276 H25	BYSTRONIC® NOZZLE Ø 2.5 HD	Call	
	B5-28	3-04276 H25	BYSTRONIC® NOZZLE Ø 2.5 HD	Call	
	B5-29	H30	BYSTRONIC® NOZZLE Ø 3.0 HD	Call	
	B5-30	H30	BYSTRONIC® NOZZLE Ø 3.0 HD	Call	
	B5-31	3-01899 H10	BYSTRONIC® NOZZLE Ø 1.0 HD CP	Call	
	B5-32	3-01899 H10	BYSTRONIC® NOZZLE Ø 1.0 HD CP	Call	
	B5-33	3-01900 H12	BYSTRONIC® NOZZLE Ø 1.25 HD CP	Call	
	B5-34	3-01900 H12	BYSTRONIC® NOZZLE Ø 1.25 HD CP	Call	
	B5-35	3-01901 H15	BYSTRONIC® NOZZLE Ø 1.5 HD CP	Call	
	B5-36	3-01901 H15	BYSTRONIC® NOZZLE Ø 1.5 HD CP	Call	
	B5-37	3-01902 H17	BYSTRONIC® NOZZLE Ø 1.75 HD CP	Call	
	B5-38	3-01902 H17	BYSTRONIC® NOZZLE Ø 1.75 HD CP	Call	
	B5-39	3-01903 H20	BYSTRONIC® NOZZLE Ø 2.0 HD CP	Call	
	B5-40	3-01903 H20	BYSTRONIC® NOZZLE Ø 2.0 HD CP	Call	
	B5-41	3-04276 H25	BYSTRONIC® NOZZLE Ø 2.5 HD CP	Call	
	B5-42	3-04276 H25	BYSTRONIC® NOZZLE Ø 2.5 HD CP	Call	
	B5-43	H30	BYSTRONIC® NOZZLE Ø 3.0 HD CP	Call	
	B5-44	H30	BYSTRONIC® NOZZLE Ø 3.0 HD CP	Call	



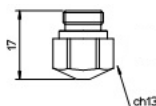
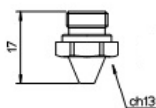
BYSTRONIC®

POS	CODE	ORIGINAL CODE	DESCRIPTION	unit price	10 pack price
	B6-01	N10-15	BYSTRONIC® DOUBLE NOZZLE Ø 1.0	Call	
	B6-02	N10-15	BYSTRONIC® DOUBLE NOZZLE Ø 1.0	Call	
	B6-03	N12-15	BYSTRONIC® DOUBLE NOZZLE Ø 1.25	Call	
	B6-04	N12-15	BYSTRONIC® DOUBLE NOZZLE Ø 1.25	Call	
	B6-05	N15-15	BYSTRONIC® DOUBLE NOZZLE Ø 1.5	Call	
	B6-06	N15-15	BYSTRONIC® DOUBLE NOZZLE Ø 1.5	Call	
	B6-07	N17-15	BYSTRONIC® DOUBLE NOZZLE Ø 1.75	Call	
	B6-08	N17-15	BYSTRONIC® DOUBLE NOZZLE Ø 1.75	Call	
	B6-09	N20-15	BYSTRONIC® DOUBLE NOZZLE Ø 2.0	Call	
	B6-10	N20-15	BYSTRONIC® DOUBLE NOZZLE Ø 2.0	Call	
	B6-11	N25-15	BYSTRONIC® DOUBLE NOZZLE Ø 2.5	Call	
	B6-12	N25-15	BYSTRONIC® DOUBLE NOZZLE Ø 2.5	Call	
	B6-13	N25-20	BYSTRONIC® DOUBLE NOZZLE Ø 2.5	Call	
	B6-14	N25-20	BYSTRONIC® DOUBLE NOZZLE Ø 2.5	Call	
	B6-15	N30-17	BYSTRONIC® DOUBLE NOZZLE Ø 3.0	Call	
	B6-16	N30-17	BYSTRONIC® DOUBLE NOZZLE Ø 3.0	Call	
	B6-17	N30-20	BYSTRONIC® DOUBLE NOZZLE Ø 3.0	Call	
	B6-18	N30-20	BYSTRONIC® DOUBLE NOZZLE Ø 3.0	Call	
	B6-19	N10-15	BYSTRONIC® DOUBLE NOZZLE Ø 1.0 CP	Call	
	B6-20	N10-15	BYSTRONIC® DOUBLE NOZZLE Ø 1.0 CP	Call	
	B6-21	N12-15	BYSTRONIC® DOUBLE NOZZLE Ø 1.25 CP	Call	
	B6-22	N12-15	BYSTRONIC® DOUBLE NOZZLE Ø 1.25 CP	Call	
	B6-23	N15-15	BYSTRONIC® DOUBLE NOZZLE Ø 1.5 CP	Call	
	B6-24	N15-15	BYSTRONIC® DOUBLE NOZZLE Ø 1.5 CP	Call	
	B6-25	N17-15	BYSTRONIC® DOUBLE NOZZLE Ø 1.75 CP	Call	
	B6-26	N17-15	BYSTRONIC® DOUBLE NOZZLE Ø 1.75 CP	Call	
	B6-27	N20-15	BYSTRONIC® DOUBLE NOZZLE Ø 2.0 CP	Call	
	B6-28	N20-15	BYSTRONIC® DOUBLE NOZZLE Ø 2.0 CP	Call	
	B6-29	N25-15	BYSTRONIC® DOUBLE NOZZLE Ø 2.5 CP	Call	
	B6-30	N25-15	BYSTRONIC® DOUBLE NOZZLE Ø 2.5 CP	Call	
	B6-31	N25-20	BYSTRONIC® DOUBLE NOZZLE Ø 2.5 CP	Call	
	B6-32	N25-20	BYSTRONIC® DOUBLE NOZZLE Ø 2.5 CP	Call	
	B6-33	N30-17	BYSTRONIC® DOUBLE NOZZLE Ø 3.0 CP	Call	
	B6-34	N30-17	BYSTRONIC® DOUBLE NOZZLE Ø 3.0 CP	Call	
	B6-35	N30-20	BYSTRONIC® DOUBLE NOZZLE Ø 3.0 CP	Call	
	B6-36	N30-20	BYSTRONIC® DOUBLE NOZZLE Ø 3.0 CP	Call	



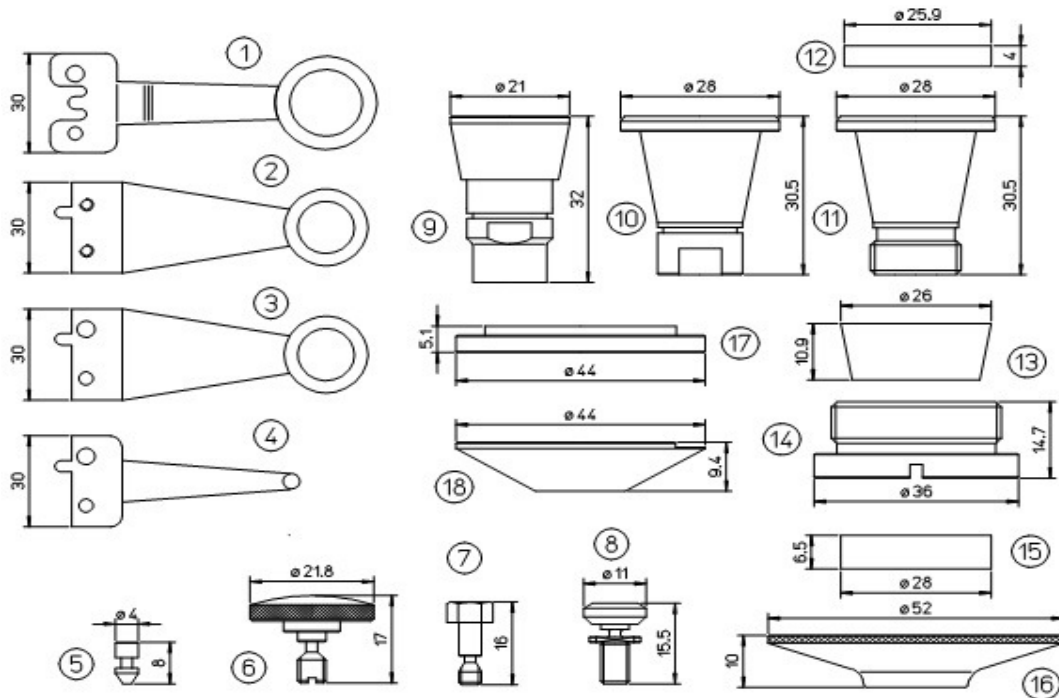
BYSTRONIC®

POS	CODE	ORIGINAL CODE	DESCRIPTION	unit price	10 pack price
	B7-01	3-04271 08	BYSTRONIC® NOZZLE Ø 0.8	Call	
	B7-02	3-04271 08	BYSTRONIC® NOZZLE Ø 0.8	Call	
	B7-03	3-01894 10	BYSTRONIC® NOZZLE Ø 1.0	Call	
	B7-04	3-01894 10	BYSTRONIC® NOZZLE Ø 1.0	Call	
	B7-05	3-01895 12	BYSTRONIC® NOZZLE Ø 1.25	Call	
	B7-06	3-01895 12	BYSTRONIC® NOZZLE Ø 1.25	Call	
	B7-07	3-01896 15	BYSTRONIC® NOZZLE Ø 1.5	Call	
	B7-08	3-01896 15	BYSTRONIC® NOZZLE Ø 1.5	Call	
	B7-09	3-01897 17	BYSTRONIC® NOZZLE Ø 1.75	Call	
	B7-10	3-01897 17	BYSTRONIC® NOZZLE Ø 1.75	Call	
	B7-11	3-01898 20	BYSTRONIC® NOZZLE Ø 2.0	Call	
	B7-12	3-01898 20	BYSTRONIC® NOZZLE Ø 2.0	Call	
	B7-13	3-01899 H10	BYSTRONIC® NOZZLE Ø 1.0 HD	Call	
	B7-14	3-01899 H10	BYSTRONIC® NOZZLE Ø 1.0 HD	Call	
	B7-15	3-01900 H12	BYSTRONIC® NOZZLE Ø 1.25 HD	Call	
	B7-16	3-01900 H12	BYSTRONIC® NOZZLE Ø 1.25 HD	Call	
	B7-17	3-01901 H15	BYSTRONIC® NOZZLE Ø 1.5 HD	Call	
	B7-18	3-01901 H15	BYSTRONIC® NOZZLE Ø 1.5 HD	Call	
	B7-19	3-01902 H17	BYSTRONIC® NOZZLE Ø 1.75 HD	Call	
	B7-20	3-01902 H17	BYSTRONIC® NOZZLE Ø 1.75 HD	Call	
	B7-21	3-01903 H20	BYSTRONIC® NOZZLE Ø 2.0 HD	Call	
	B7-22	3-01903 H20	BYSTRONIC® NOZZLE Ø 2.0 HD	Call	
	B7-23	3-04273 K08	BYSTRONIC® NOZZLE Ø 0.8	Call	
	B7-24	3-04273 K08	BYSTRONIC® NOZZLE Ø 0.8	Call	
	B7-25	3-01905 K10	BYSTRONIC® NOZZLE Ø 1.0	Call	
	B7-26	3-01905 K10	BYSTRONIC® NOZZLE Ø 1.0	Call	
	B7-27	3-01906 K12	BYSTRONIC® NOZZLE Ø 1.25	Call	
	B7-28	3-01906 K12	BYSTRONIC® NOZZLE Ø 1.25	Call	
	B7-29	3-01907 K15	BYSTRONIC® NOZZLE Ø 1.5	Call	
	B7-30	3-01907 K15	BYSTRONIC® NOZZLE Ø 1.5	Call	
	B7-31	3-01908 K17	BYSTRONIC® NOZZLE Ø 1.75	Call	
	B7-32	3-01908 K17	BYSTRONIC® NOZZLE Ø 1.75	Call	
	B7-33	3-01909 K20	BYSTRONIC® NOZZLE Ø 2.0	Call	
	B7-34	3-01909 K20	BYSTRONIC® NOZZLE Ø 2.0	Call	
	B7-35	3-01910 HK10	BYSTRONIC® NOZZLE Ø 1.0 HD	Call	
	B7-36	3-01910 HK10	BYSTRONIC® NOZZLE Ø 1.0 HD	Call	
	B7-37	3-01911 HK12	BYSTRONIC® NOZZLE Ø 1.25 HD	Call	
	B7-38	3-01911 HK12	BYSTRONIC® NOZZLE Ø 1.25 HD	Call	
	B7-39	3-01912 HK15	BYSTRONIC® NOZZLE Ø 1.5 HD	Call	
	B7-40	3-01912 HK15	BYSTRONIC® NOZZLE Ø 1.5 HD	Call	
	B7-41	3-01913 HK17	BYSTRONIC® NOZZLE Ø 1.75 HD	Call	
	B7-42	3-01913 HK17	BYSTRONIC® NOZZLE Ø 1.75 HD	Call	
	B7-43	3-01914 HK20	BYSTRONIC® NOZZLE Ø 2.0 HD	Call	
	B7-44	3-01914 HK20	BYSTRONIC® NOZZLE Ø 2.0 HD	Call	



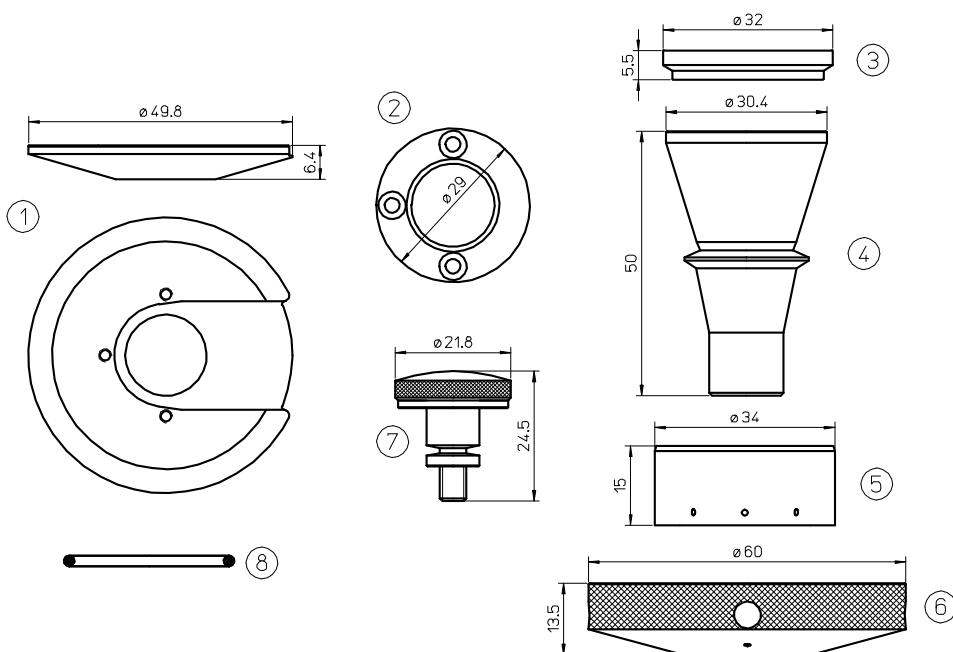
BYSTRONIC®

POS	CODE	ORIGINAL CODE	DESCRIPTION	unit price	10 pack price
1	B8-01	3-05530	BYSTRONIC® SCANNER	Call	
2	B8-02	2-01262	BYSTRONIC® SCANNER	Call	
3	B8-03	2-02015	BYSTRONIC® SCANNER	Call	
4	B8-04	2-02016	BYSTRONIC® BALL SCANNER	Call	
5	B8-05	4-03137	BYSTRONIC® PIN	Call	
6	B8-06	4-03136	BYSTRONIC® KNURLED SCREW - BRASS	Call	
7	B8-07	4-00324	BYSTRONIC® KNURLED SCREW	Call	
8	B8-08	3-09001	BYSTRONIC® SCREW FOR CROSS-JET	Call	
9	B8-09	3-02291	BYSTRONIC® NOZZLE BODY	Call	
10	B8-10	3-05497	BYSTRONIC® COPPER NOZZLE BODY	Call	
11	B8-11	2-08701	BYSTRONIC® NOZZLE BODY	Call	
12	B8-12	4-01642	BYSTRONIC® CERAMIC INSULATING DISC	Call	
	B8-13	4-01642	BYSTRONIC® CERAMIC INSULATING DISC NEW VERSION	Call	
13	B8-14	4-01959	BYSTRONIC® CERAMIC CONE	Call	
	B8-15	4-01959	BYSTRONIC® CERAMIC CONE - NEW VERSION	Call	
14	B8-16	3-11071	BYSTRONIC® FASTENING NUT	Call	
15	B8-17	4-09010	BYSTRONIC® CERAMIC INSULATING RING	Call	
16	B8-18	2-08700	BYSTRONIC® SIGNBOARD	Call	
	B8-19	2-08700	BYSTRONIC® SIGNBOARD CP	Call	
17	B8-20	3-03663-T	BYSTRONIC® TEFLON DISC	Call	
18	B8-21	3-03663-C	BYSTRONIC® SIGNBOARD	Call	
	B8-22		BYSTRONIC® SCREW KIT (3 PCS) FOR AL205	Call	



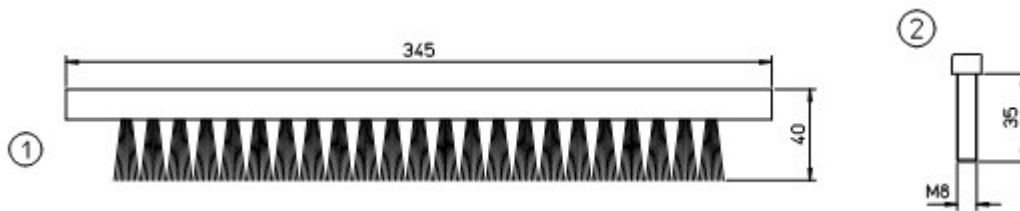
BYSTRONIC® - BYSPEED

POS	CODE	ORIGINAL CODE	DESCRIPTION	unit price	10 pack price
1	B9-01	3-06035	BYSTRONIC® SIGNBOARD COPPER ONLY	Call	
	B9-02		BYSTRONIC® SCREW KIT (3 PCS) FOR AL222	Call	
2	B9-03	3-06035-T	BYSTRONIC® DISC TEFLON®	Call	
	B9-04	3-06035-P	BYSTRONIC® DISC LONG LIFE	Call	
3	B9-05	3-13113	BYSTRONIC® INSULATING RING	Call	
4	B9-06	2-10837	BYSTRONIC® NOZZLE BODY	Call	
5	B9-07	3-13422	BYSTRONIC® INSULATING RING WITH HOLES	Call	
6	B9-08	3-13110	BYSTRONIC® SHIELD COPPER	Call	
7	B9-09	4-04976	BYSTRONIC® KNURLED SCREW	Call	
8	B9-10	3141300	BYSTRONIC® O'RING	Call	
	B9-11	3141122	BYSTRONIC® O'RING	Call	
	B9-12	3140236	BYSTRONIC® O'RING	Call	
	B9-13	3140820	BYSTRONIC® O'RING FOR LENS	Call	



BYSTRONIC®

POS	CODE	ORIGINAL CODE	DESCRIPTION	unit price	10 pack price
1	B10-01	2-06511	BYSTRONIC® BRUSH 345x30x20 WITH SCREWS	Call	
2	B10-02	333884	BYSTRONIC®/MAZAK® PLASTIC SCREWS - 2 pcs	Call	



OILS AND FILTERS

POS	CODE	ORIGINAL CODE	DESCRIPTION	unit price	10 pack price
	B10-03	1973601	BYSTRONIC® VACUUM PUMP OIL GS32	Call	
	B10-04	8861850	BYSTRONIC® CROSS-JET OIL LT5	Call	
	B10-05	8861850-25	BYSTRONIC® CROSS-JET OIL LT25	Call	
	B10-06	8861850-177	BYSTRONIC® CROSS-JET OIL LT177	Call	
	B10-07	1971661-400	BYSTRONIC® GREASE- GR400	Call	
	B10-08	1971661-850	BYSTRONIC® GREASE- GR 850 - 190 EP	Call	
	B10-09	D020	BYSTRONIC® AIR FILTER DELTEC	Call	
	B10-10	71064753	BYSTRONIC® VACUUM PUMP FILTER	Call	
	B10-11	8820145	BYSTRONIC® WATER FILTER 60/MC	Call	
	B10-12	8820154	BYSTRONIC® WATER FILTER 140M/C	Call	
	B10-13	A37100MFO	BYSTRONIC® GREEN AIR FILTER 37X106	Call	
	B10-14	0	BYSTRONIC® AIR FILTER ACTIVE COAL	Call	
	B10-15	502456	BYSTRONIC® VACUUM PUMP FILTER 4000W	Call	